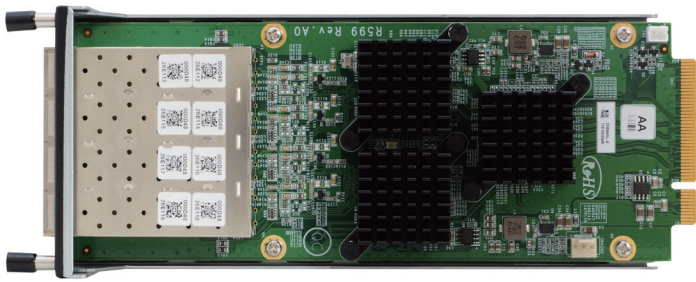


# R599

## Network Expansion Module



### ► Features

- 2x Intel® I350-AM4
- 8x 1GbE SFP Ports
- Support VMDq, SR-IOV



### ► Introduction

AEWIN R599 Network Expansion Module is built upon the venerable Intel® I350-AM4 chipset, featuring 8x 1GbE SFP ports powered by 2x I350 onboard. SR-IOV functionality is enabled to offer DMA access

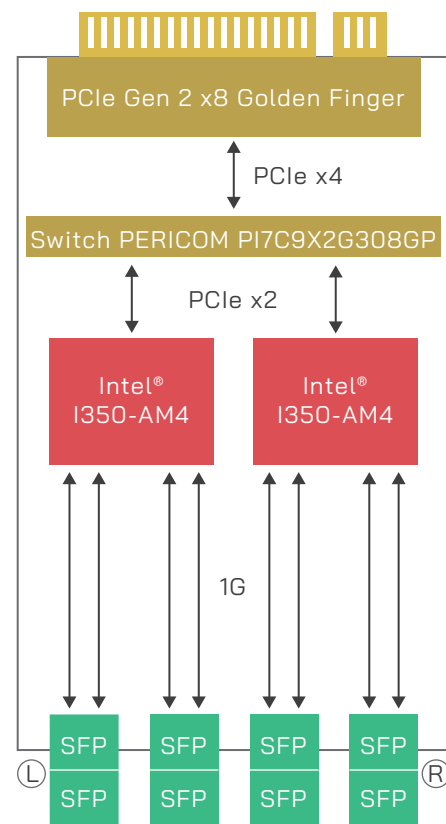
### ► Specification

Platform	
Form Factor	AEWIN Expansion Module
LAN Controller	2x Intel® I350-AM4
LAN Switch	1x PERICOM PI7C9X2G308GP
Features	VMDq, SR-IOV
Ethernet Port	8x 1GbE SFP Ports
Bypass	-
Bus Type	PCIe Gen 2 x8
Mechanical	Dimension(W x D x H): 74 x 194 x 29 mm Weight(with tray): 313g Weight(without tray): 123g
Environmental	
Operating Environment	Temperature: 0-45°C(32-113°F) Humidity: 20-90% RH
Storage Environment	Temperature: 0 -70°C(14-158°F) Humidity: 5-95% RH @ 55°C
OS Support	Windows, Linux, FreeBSD

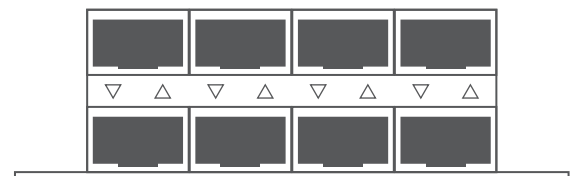
### ► Order Information

R599AL 2x Intel® I350-AM4, PCIe Gen 2 switch PI7C9X2G308GP, 8x 1GbE SFP Fiber, Ports Sequence Left to Right

### ► Block Diagram



### ► LED



LED	State	Description
LAN LED (LNK/ACT)	Green <span style="color: green;">■</span>	Link: Always on Active: Blinking