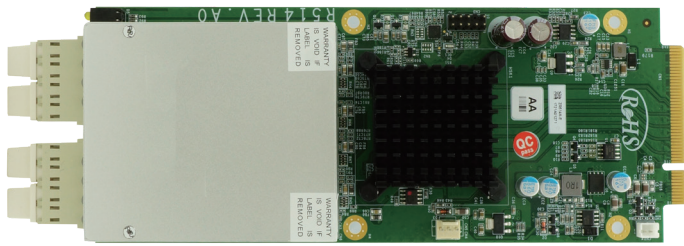


# R514

## Network Expansion Module



### ► Features

- 1x Intel® I350-AM4
- 4x 1GbE SFP Ports
- 2 Pairs Gen 3 Bypass
- Support VMDq, SR-IOV



### ► Introduction

AEWIN R514 Network Expansion Module is built upon the venerable Intel® I350-AM4 chipset, featuring 4x 1GbE SFP ports powered by 1x I350 onboard. Available with 2 pairs Bypass ports to fit into different networking requirements. SR-IOV functionality is enabled to offer DMA access

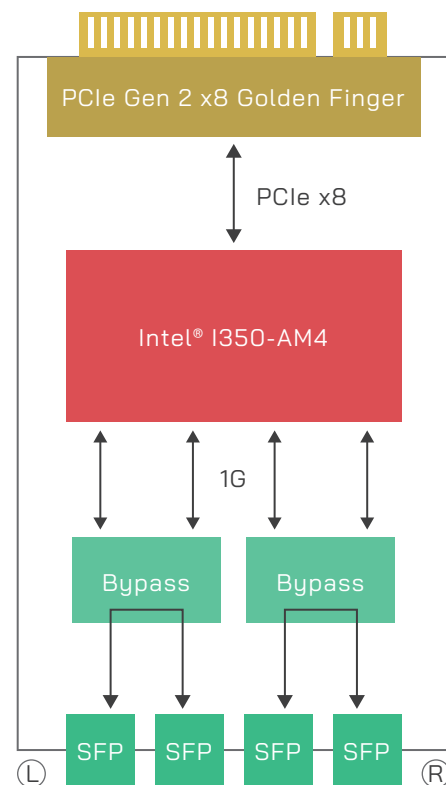
### ► Specification

Platform	
Form Factor	AEWIN Expansion Module
LAN Controller	1x Intel® I350-AM4
LAN Switch	-
Features	VMDq, SR-IOV
Ethernet Port	4x 1GbE SFP Ports
Bypass	2 Pairs Gen 3 Bypass
Bus Type	PCIe Gen 2 x8
Mechanical	
Dimension(W x D x H): 74 x 194 x 29 mm	
Weight(with tray): 343g Weight(without tray): 153g	
Environmental	
Operating Environment	Temperature: 0-45°C(32-113°F) Humidity: 20-90% RH
Storage Environment	Temperature: 0 -70°C(14-158°F) Humidity: 5-95% RH @ 55°C
OS Support	Windows, Linux, FreeBSD

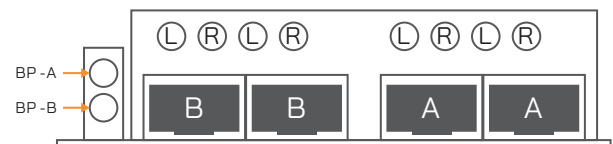
### ► Order Information

R514A	1x Intel® I350-AM4, 4x 1GbE SFP Fiber, 2 Pairs Gen 3 Bypass with Multi-mode Transceiver, Ports Sequence Right to Left
R514AL	1x Intel® I350-AM4, 4x 1GbE SFP Fiber, 2 Pairs Gen 3 Bypass with Multi-mode Transceiver, Ports Sequence Left to Right
R514B	1x Intel® I350-AM4, 4x 1GbE SFP Fiber, 2 Pairs Gen 3 Bypass with Single-mode Transceiver(20KM), Ports Sequence Right to Left

### ► Block Diagram



### ► LED



LED	State	Description
Left LAN LED (Speed)	Orange <span style="color: orange;">■</span>	1 Gbps data rate
Right LAN LED (LNK/ACT)	Green <span style="color: green;">■</span>	Link: Always on Active: Blinking
Bypass LED	Yellow <span style="color: yellow;">■</span>	Bypass enabled