

R385

Network Expansion Module



► Features

- 2x Intel® I350-AM4
- 8x 1GbE RJ45 Ports
- 2 Pairs Gen 3 Bypass (optional)
- Support VMDq, SR-IOV



► Introduction

AEWIN R385 Network Expansion Module is built upon the venerable Intel® I350-AM4 chipset, featuring 8x 1GbE RJ45 ports powered by 2x I350 onboard. Available with 2 Pairs Bypass ports to fit into different networking requirements. SR-IOV functionality is enabled to offer DMA access.

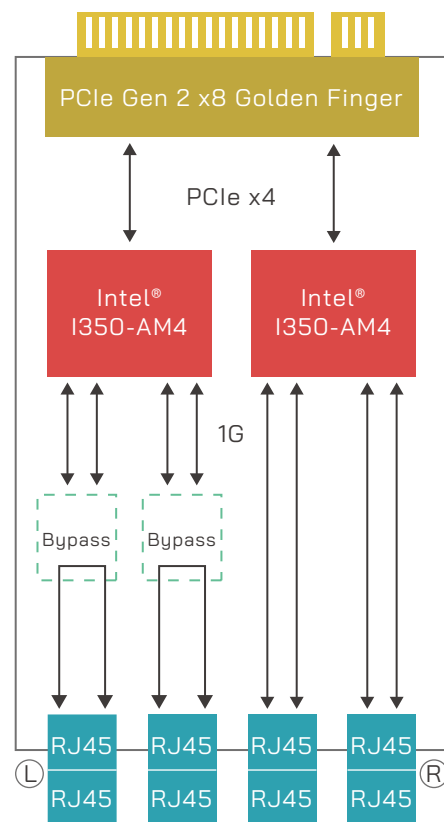
► Specification

Platform	
Form Factor	AEWIN Expansion Module
LAN Controller	2x Intel® I350-AM4
LAN Switch	-
Features	VMDq, SR-IOV
Ethernet Port	8x 1GbE RJ45 Ports
Bypass	2 Pairs Gen 3 Bypass
Bus Type	PCIe Gen 2 x8
Mechanical	Dimension(W x D x H): 74 x 194 x 29 mm Weight(with tray): 420g Weight(without tray): 230g
Environmental	
Operating Environment	Temperature: 0-45°C(32-113°F) Humidity: 20-90% RH
Storage Environment	Temperature: 0 -70°C(14-158°F) Humidity: 5-95% RH @ 55°C
OS Support	Windows, Linux, FreeBSD

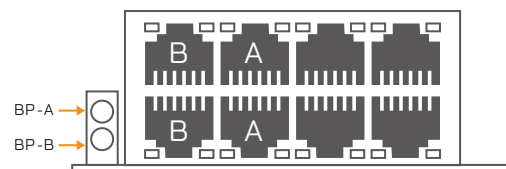
► Order Information

R385B	2x Intel® I350-AM4, 8x 1GbE RJ45 Copper, 2 Pairs LAN Bypass, Ports Sequence Right to Left
R385C	2x Intel® I350-AM4, 8x 1GbE RJ45 Copper, Ports Sequence Right to Left
R385CL	2x Intel® I350-AM4, 8x 1GbE RJ45 Copper, Ports Sequence Left to Right

► Block Diagram



► LED



LED	State	Description
Left LAN LED (LNK/ACT)	Green ■ (Blink)	Active
	Off □	No connection
Right LAN LED (Speed)	Green ■	1Gbps data rate
	Yellow ■	100Mbps data rate
	Off □	10Mbps data rate or no connection
Bypass LED	Green ■	Bypass enabled